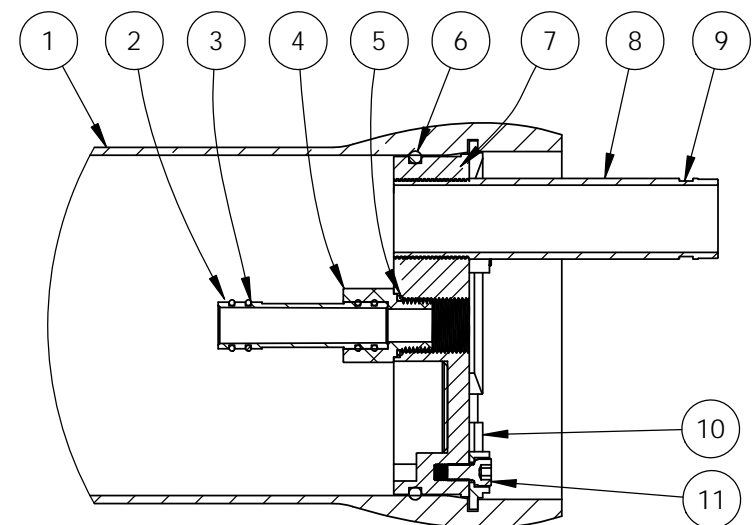
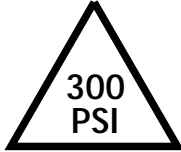


CENTER VESSEL ON 2 SUPPORTS AT SPANS "P"
 3 SUPPORTS ARE REQUIRED FOR LENGTHS 4 AND OVER



SECTION THROUGH END CLOSURE

NOTES:
 • DIMENSIONS IN MILLIMETERS(MM).
 • DIMENSIONS FOR REFERENCE ONLY.
 • SPECIFICATIONS SUBJECT TO CHANGE WITHOUT NOTICE.
 • MAERIALS MAY DIFFER BASED ON REQUIREMENT.

DWG REF	QTY	DESCRIPTION	MATERIAL
①	1	FRP Shell	Filament Wound Composite (FRP)
②	2	Membrane Inter Connector	Engineering ThermoPlastic
③	8	Inter connector seal	Silicon O Ring
④	2	Permeate Port	Engineering ThermoPlastic
⑤	2	Permeate Port Seal	Silicon O Ring
⑥	2	EndCap Seal	Silicon O Ring
⑦	2	Endcap	Engineering Thermo Plastic
⑧	2	Feed Port	Stainless Steel 304
⑨	2	Coupling Groove	Stainless Steel 304
⑩	2	Lockplate	Stainless Steel 304
⑪	6	LockPlate Screw	M10 - SS 304

Shell Element Code	L Span mm	F Span mm	S Shell Dia OD mm	D Bell Dia OD mm
1	1248	1384	212	241
2	2301	2437	212	241
3	3325	3451	212	241
4	4492	4668	212	241
5	5507	5683	212	241
6	6520	6696	212	241

MODEL ALFA AEROSOL 80-E

