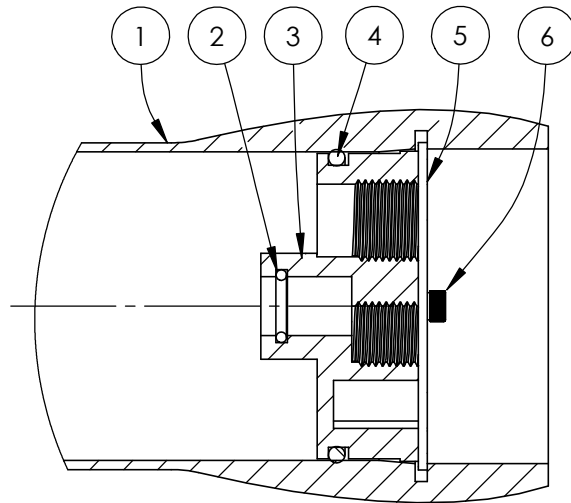


CENTER VESSEL ON 2 SUPPORTS AT SPANS "P"
 3 SUPPORTS ARE REQUIRED FOR LENGTHS 4 AND OVER

- NOTES:
- DIMENSIONS IN MILLIMETERS(MM).
 - DIMENSIONS FOR REFERENCE ONLY.
 - SPECIFICATIONS SUBJECT TO CHANGE WITHOUT NOTICE.
 - MAERIALS MAY DIFFER BASED ON REQUIREMENT.



SECTION THROUGH END CLOSURE

Shell Element Code	L Span mm	S Shell Dia OD mm	D Bell Dia OD mm
1	1204	112	140
2	2220	112	140
3	3237	112	140
4	4253	112	140
5	5270	112	140

MODEL ALFA AEROSOL 40-E

Manufactured By:

